

PATENT SPECIFICATION

(11) 1204 190

1204 190

DRAWINGS ATTACHED

- (21) Application No. 58533/67 (22) Filed 22 Dec. 1967
(31) Convention Application No. 84999 (32) Filed 26 Dec. 1966 in
(33) Japan (JA)
(45) Complete Specification published 3 Sept. 1970
(51) International Classification H 04 n 7/08
(52) Index at acceptance
H4L 26E3X 26E5B 26E7E 26G2A



(54) MULTIPLEX COMMUNICATION SYSTEM

- (71) We, MAINICHI BROADCASTING SYSTEM, of 53, Dohima Funadaikumachi, Kita-ku, Osaka-Shi, Japan, a Japanese Company, and NIPPON ELECTRIC COMPANY, LIMITED, of 7-15 Shiba Gochome, Minato-ku, Tokyo-to, Japan, a Japanese Company, do hereby declare the invention, for which we pray that a patent may be granted to us, and the method by which it is to be performed, to be particularly described in and by the following statement:—
- This invention relates to electrical communication systems arranged to make efficient use of transmission time.
- Transmission of two sorts of signals through a channel has been carried out by frequency multiplication, time-division multiplication, phase multiplication, or the like.
- The protection to which the invention is entitled is predicated in the accompanying statement of claim.
- By means of the invention effective use can be made, for example, of the blanking intervals of a television signal.
- For example, it becomes possible, while watching an education program, to receive pictures for permanent record such as data, tables, textbooks, and the like. Alternatively, it is feasible to receive at pertinent intervals in the television reception special news, programme information, stock prices, and the like. Thus, this invention has various applications and enables effective transmission of information.
- A system embodying the invention will be described for transmitting, superposed on a television signal, a signal of a facsimile apparatus whose period of scanning is independent of the period of scanning for the television signal. With this system, it is possible to resort to a conventional manner of synchronization between the facsimile transmitter and receiver, such as the power-source synchronization or the forced synchronization normally used in transmission of the facsimile signal. This has the merit of enabling any facsimile transmitter and receiver in service to be used as they are and, furthermore, provides improvements in the quality of the received facsimile picture and in the stability of the whole system.
- This invention provides a multiplex communication system for a signal having a relatively narrower frequency band. The former signal may be a television signal, while the latter may be a facsimile signal. The invention will hereafter be described with reference to certain embodiments for transmitting facsimile signals interpolated in television signals shown in the accompanying drawings in which:—
- Fig. 1 shows waveforms for illustrating the basic principles of this invention;
- Fig. 2 is a block diagram of an embodiment of the transmitter of this invention;
- Fig. 3 is a block diagram of an embodiment of the receiver of this invention;
- Fig. 4 is a block diagram of the principal portion of another embodiment of the transmitter of this invention;
- Fig. 5 shows wave forms for explaining Figs. 4 and 6;
- Fig. 6 is a block diagram of the principal portion of another embodiment of the receiver of this invention;
- Fig. 7 is a block diagram of a receiver employing the embodiment shown in Fig. 6; and
- Fig. 8 shows wave forms for explaining the principles of a third embodiment of this invention.
- As is well-known, a television signal has a blanking interval (blanking period) for each horizontal and vertical scanning, which interval is an idle interval being not used for transmission of the picture. These intervals can amount to 14% for horizontal and 8% for vertical. These intervals, although used in transmitting the synchronizing signal train for timing the scanning in the receivers, mostly remain unutilized. This invention proposes superposition of a facsimile signal on the idle intervals within the video signal level. In Fig. 1, a wave form 104 shows an

[Price 5s. 0d. (25p)]

example of the wave form obtained by superposing a facsimile signal on those television signal portions during the vertical blanking intervals. The broken line portion F represents the facsimile signal. It will be understood that the facsimile signal which usually is a continuous binary signal must be concentrated, before superposition, into signal blocks for superposition on the F intervals. The duration of an F interval is optional, provided it falls within an idle interval of the television signal. In order to evade the adverse effects on the television synchronizing signal train, superposition is carried out avoiding the periods where the synchronizing signal train assume the blacker than black level. Furthermore, superposition is effected such that the facsimile signal level peak does not exceed the white peak of the television picture signal. Thus, the superposition of the facsimile signal does not cause any effects at all on the blacker than black level, or the synchronizing signal portions, of the television signal and any adverse effects on the synchronization in the receivers and prevents the superimposed signal from appearing in the received picture by virtue of the blanking circuit of the receiver notwithstanding the fact that the black level is warranted throughout the blanking intervals to enable the blanking accomplished within the receiver. Inasmuch as there is no picture information in the television signal during the blanking intervals and as different levels are assigned to the television synchronizing signal train and the facsimile signal, respectively, it is feasible to separate the facsimile signal by means of a gate operable with the television synchronizing signal train and a level discriminator and thus to avoid any adverse effects of the television signal on the facsimile signal.

An embodiment of this invention will now be explained with reference to the wave form illustration of Fig. 1 and the block diagram of Fig. 2.

The output of a facsimile transmitter 1 is detected by a detector 2 to become a facsimile signal 103. The levels of the wave form 103 represent the bright and the dark portions of the original picture being transmitted. The television signal to be multiplexed is supplied to a terminal 13, from which signal the horizontal and the vertical synchronizing signals are derived by a synchronizing signal separator 12. The vertical synchronizing signal train 101 is fed to a synchronized oscillator 3. Controlled by the vertical synchronizing signal, the synchronized oscillator 3 produces a continuous pulse train a of 1200 cycles which is twenty times the 60-cycle repetition frequency of the vertical synchronizing signal train and feeds the same to a pulse mixer 7. The horizontal synchronizing signal train which is the remainder

of the signals derived by the synchronizing signal separator 12 is led to another synchronized oscillator 5. Controlled by the horizontal synchronizing signal, this synchronized oscillator 5 produces another train of pulses of 63 kilocycles which is four times the 15.75-kilocycle repetition frequency of the horizontal synchronizing signal train. In synchronism with the vertical synchronizing signal train, a gate pulse generator 4 produces gate pulses each within a vertical blanking interval. Thus, a gate 8 produces pulse groups b each consisting of twenty pulses of the 63-kilocycle pulses, which groups are mixed at the pulse mixer 7 with the 1200-cycle continuous pulse train a to be a clock pulse train 102 shown by the wave form 102. The reason why the clock pulse train 102 is of this construction will become clear soon. The clock pulse train 102 and the facsimile signal 103 derived by the detector 2 are fed to a shift register 6, which is widely used as a memory element for digital signals. In this embodiment, the shift register 6 of 20-bit capacity performs sampling, through its logical operation, of the facsimile signal 103 by the continuous pulse train a of the clock pulse train 102, storing, and reading-out by the pulse groups b of the clock pulse train 102 to derive binary signal groups having the same bits as the pulse groups b. At the same time, the shift register similarly performs storing by the pulse groups b and reading-out of the stored information by the continuous pulse train a to derive another binary signal train, which is not the objective and is removed by the succeeding pulse shaper 10. For convenience, a block containing the elements 3, 4, 5, 6, 7, and 8 will be called a signal transforming block 9. The pulse shaper 10 shapes the binary signal trains derived by the shift register 6, by the pulse groups b supplied from the gate 8 into a binary signal which is the same pulse width as the pulse groups b for convenience of superposition on the television signal and which is actually superposed by a mixer 11 on the television signal and then fed to a television transmitter through an output terminal 14. The wave form 104 shows the television signal having the last-mentioned binary signal superposed thereon, wherein the brightness of the facsimile original picture is represented by the pulse amplitude (inasmuch as the pulses are binary, by presence and absence of pulses). In this figure: P₁ shows the periods of the video signal; P₂, the periods of the equalizing pulses; P₃, the periods of the vertical synchronizing pulse train; P₄, the periods of the horizontal synchronizing signal train arranged in the vertical blanking periods P₃; and F, the pulse groups derived from the facsimile signal.

An embodiment of the receiver of this invention will now be described with reference to Fig. 3.

A television receiver 15 is illustrated, with its principal portion having connection with this invention being shown. The broadcast television electromagnetic wave received by the television receiver is led to a high-frequency circuit, sufficiently amplified, and then detected. The resulting television signal is led through an input terminal 16 to a video amplifier 17. The amplified signal is applied to a cathode-ray tube 18 to reproduce the television picture. In order to separate the facsimile signal superposed on the television signal according to this invention, the amplified television signal is partly fed from the video amplifier 17 to a gate 19 and a synchronizing signal separator 12. The synchronizing signal separator 12 separates the horizontal and the vertical synchronizing signal trains from the television signal, as in the transmitter of Fig. 2. The vertical synchronizing signal train inter alia is led to a gate pulse generator 4 which produces gate pulses like those of the transmitter of Fig. 2 for gating at the gate 19 the facsimile signal superposed on the television signal. The taken-out facsimile signal is supplied to a shift register 6. A signal recovering block 20 having the shift register 6 as the principal element is of the same construction as the signal transforming block 9 of the transmitter, wherein the elements 3, 4, 5, 6, 7, and 8 of Fig. 3 correspond to the elements of the same reference numerals of Fig. 2, respectively. For the transmitter of Fig. 2, the block 9 is used to concentrate a continuous signal within certain intervals by substituting therefor 20-bit pulse groups, while the block 20 of the same construction is used to carry out the reversed process in the receiver of Fig. 3. Thus, the pulse groups concentrated within certain intervals are reconverted into a continuous signal. Although it has been assumed for convenience during explanation of the transmitter that sampling and storing are carried out by twenty pulses of the longer repetition period of the clock pulse train and that reading-out is accomplished by twenty pulses of the shorter repetition period, use is possible of the above-mentioned storing clock pulses and reading-out clock pulses as the reading-out and the storing pulses, respectively, because a shift register simultaneously performs storing and reading-out in principle. It will thus be understood that the same circuit can perform both signal concentration and expansion which differ from each other only as to the output signal portions to be utilized. In this manner, the output of the shift register 6 is a facsimile signal in the form of a continuous binary signal train which is the replica of the facsimile signal 103 prior to the transformation in the transmitter. Later, this signal is used to modulate at a modulator 21 in the carrier wave supplied from a carrier oscillator 22, and is led to a facsimile receiver

23 to record a picture that corresponds to the transmitted facsimile picture.

In connection with the foregoing embodiments, shift registers have been referred to as the memory elements in the transmitter and the receiver. Such elements, however, are not necessarily shift registers but may be any memory elements having at least twenty-bit memory capacity and enabling the clock pulses to store and read out, with similar technical effect. Examples of the elements usable are flipflop circuits, memory cores, delay lines, memory tubes, magnetic tapes, and others. With some sorts of the memory elements, it is possible to deal not only with binary signals but also signals whose level varies in a continuous manner.

Now, more detailed explanation will be given about the clock pulse train 102 used in concentrating and expanding the facsimile signal in the first embodiments. As has already been mentioned, the clock pulse train consists of a continuous pulse train a and a succession of pulse groups b. A pulse group b enclosed by a broken-line circle 102' is shown at 102'' on an enlarged scale. The continuous pulse train a is in synchronism with the vertical synchronizing signal train 101 and its repetition frequency is an integral multiple of the latter. The pulse groups b have the same repetition frequency as the vertical synchronizing signal train 101, appear within the duration of the vertical blanking intervals of the television signal on which superposition is to be effected, and have group phase and width offset from the pulses of the continuous pulse train a. Furthermore, the repetition frequency of the continuous pulse train a is determined by the maximum frequency of the facsimile signal to be sampled thereby at the transmitter and should be about two or four times as large as the maximum frequency. The number of pulses contained by each pulse group b must be equal to the number of pulses of the continuous pulse train a existing within a period of the vertical synchronization, namely, equal to the value of the integral multiple, as is evident from the foregoing signal transformation process of the signal transforming or recovering block. As for the width of the pulse groups b, the maximum is determined by the number of pulses to be contained and by the transmission band width of the television signal, while the minimum is determined so as not to be shorter than a period of the continuous pulse train a in order to prevent any misoperation which would otherwise occur due to coexistence of the pulse train a and the pulse groups b. The phase of the pulse groups b is determined with reference to the continuous pulse train a so that both may be offset from each other. In addition, each of the pulse groups b, in consideration of superposition on the tele-

70

75

80

85

90

95

100

105

110

115

120

125

130

vision signal, must be offset from the synchronizing signal portions of the television signal. To examine the first embodiments in this regard, the repetition frequency of 1200 cycles selected for the continuous pulse train a makes it possible to transmit the facsimile signal whose maximum picture frequency is as high as 600 cycles. Inasmuch as the repetition frequency of the continuous pulse train a is 1200 cycles and that of the television vertical synchronizing signal train is 60 cycles, it follows that one period of the continuous pulse train a corresponds to about twelve periods of the horizontal synchronism, that the number of pulses contained in each pulse group is twenty bits, and that selection of five periods of the horizontal synchronism for the width of each pulse group sets the number of pulses of the pulse groups contained in each period of the horizontal synchronism at four bits, namely, the repetition frequency thereof at 63 kilocycles.

Now, another embodiment will be described for carrying the system of this invention into effect. With the receiver of the first embodiments shown in Fig. 3, a block of relatively complicated construction such as that of the transmitter is required to produce the clock pulse train 102, the pulse groups b of which are used to detect the concentrated binary signal train. It is desirable, however, on adopting this invention to television broadcast, to provide simplified and yet stable and less expensive receivers even at the sacrifice of complicatedness of the transmitter in view of the fact that a number of receivers are used for only one transmitter. In order to satisfy this desire, a modulation system is proposed wherein the signal to be superposed is not a mere binary signal but a binary signal carrying the phase reference which corresponds to the pulse groups b of the clock pulse train 102. A modulation system according to this proposal will now be described as the second embodiment.

Reference will now be had to Fig. 4 which is a block diagram showing the principal portion of the transmitter of the second embodiment and to Fig. 5 which illustrates wave forms. With this second embodiment, it is assumed that the original wave forms of two signals to be multiplexed, the number of bits, the period of the clock pulses, and the like are equal to those of the first embodiment.

Referring to Fig. 4, a terminal 31 receives a signal corresponding to the pulse group b in the clock pulse train 102 for the first embodiments, which signal is supplied to a bistable flipflop circuit 29 and a delay circuit 26. The flipflop circuit 29 has two input terminals for set and reset pulses. The set pulse input terminal receives the signal directly from the terminal 31, while the reset pulse input terminal receives the signal

through the delay circuit 26. The delay circuit 26 has one input terminal and two output terminals, an output terminal 27 of which produces pulses 106 delayed by one micro-second from the pulses 105 of the input signal, while the other output terminal 28 derives pulses 107 delayed by four micro-seconds from the pulses 105. Another terminal 24 receives a signal 108 that is similar to the output signal of the shift register 6 in the transmitter of the first embodiment and that is supplied to a gate 25 receiving at the other input terminal the pulses 106 from the output terminal 27 of the delay circuit. In this embodiment, the pulses 106 are blocked and allowed to pass through the gate 24 when the pulses 108 assume binary 1 and 0, respectively. Therefore, the pulses 106' are obtained at the output of the gate 25. In combination, the bistable flip-flop circuit 29 is brought into "set" state by the pulses 105 and reset by the pulses 107 when the binary signals 108 assume binary code "1", and the bistable flipflop circuit 29 is set by the pulses 105 and reset by the pulses 106' which are three microseconds in advance of the pulses 107, when the binary signal 108 is "0". Thus, the pulse-width modulated signals 109 are obtained at the output terminal 30 of the bistable flipflop circuit 29.

It is to be noted here that while light and shade of the facsimile original picture are represented by presence and absence of pulses with the first embodiments, such are represented by the width of pulses, or by pulse-width modulation (PWM), with the second embodiment.

To explain an example of the demodulator of the second embodiment with reference to Fig. 6 showing the principal portion of a PWM receiver, the facsimile signal separated from the television signal is what has been shown in Fig. 5 as the output signal 109 of Fig. 4 and is supplied from an input terminal 32 directly to one of the two input terminals of an AND circuit 34 and to the other through a two-microsecond delay circuit 33. Inasmuch as the two input signals to the AND circuit are of the wave forms shown at 109 and 110 in Fig. 5, pulses are supplied to an output terminal 35 when pulses are simultaneously present in both input signals. The resulting wave form corresponds to the light and shade binary signal 108 produced at the transmitter.

An example of the receiver according to the pulse-width modulation principle is shown in Fig. 7.

Numeral 36 in the television receiver 15 shows a vertical deflection amplifier, from which the vertical synchronizing pulses are taken out. Numeral 37 shows a gate similar to the gate 19 in Fig. 3. Numeral 38 illustrates a circuit similar to the gate pulse generator 4 in Fig. 3. Portion 40 enclosed

5

10

15

20

25

30

35

40

45

50

55

60

65

70

75

80

85

90

95

100

105

110

115

120

125

130

by the broken line corresponds to the signal transformation block 20 of Fig. 3. The AND circuit 34 of Fig. 6 is comprised in the signal transformation block 40 by the input circuit 5
 5 the same operation as in the afore-mentioned blocks 9 and 20 and produces the clock pulse train 102 for the shift register 6. The output signal of the signal transformation block 40
 10 is utilized, after processed as in the embodiment of Fig. 3, to produce the facsimile records.

In the description just mentioned, the phase of the trailing edges of the pulses whose leading edges appear at a given repetition period has been modulated according to the content of the signal. It is, however, possible with a similar circuit to effect modulation of the phase of the leading edges of pulses whose trailing edges appear at a constant period and thus to achieve the same technical merits with the same receiver circuit. More particularly, it is possible to use as the reset pulses for the flipflop circuit 29 the pulses 105 used as the set pulses and to supply to the bistable flipflop circuit 29 as the set pulses those pulses 106 and 107 used as the reset pulses which are interswitched according to the binary value of the binary signal 108.

With the second embodiment so far explained, the relation between the two widths of the broad and narrow pulses and the delay time of the delay circuit is so determined as mentioned above that the pulses, when caused to pass through the delay circuit, may at once be converted into a signal whose amplitude varies between two values. According to the second embodiment wherein one of the leading and the trailing edges of the pulses of the superposed signals carries the information and the other serves to provide the phase reference, it becomes possible to much simplify the demodulating portion of the receiver. In the receiver of the first embodiment the shift pulses for storing the separated signals in the shift register information are derived from the television synchronizing signal: therefore, not only is the clock pulse generator complicated but also the phase, the number, the width, and the like of the clock pulses are subject to the condition for operating the circuit with the resulting misoperation. In contrast, each pulse of the second embodiment has the dual function of serving as a clock pulse and carrying the information so that misoperation seldom occurs and the stability of the receiver depends entirely on the delay circuit. The delay circuit for short delay time as required here, if composed of passive circuit elements, can easily provide stable delay time and warrant certainty of operation. Furthermore, in the receiver of the second embodiment, because the input pulse signal to the
 65 shift register has also the function of serving

as the shift pulse for storing, it is possible to apply not only a periodic signal but also an aperiodic signal as an input signal to the input terminal of the shift register. Therefore, it is possible to superpose a discrete signal corresponding to the facsimile signal to a discrete idle interval where the television synchronizing signal does not occur. In other words, this pulse-width demodulation system, if combined with a memory element such as a shift register accompanying an AND circuit, serves easily to derive amplitude modulated information from aperiodic information and remarkably to contribute to simplification of the receivers.

Further examples of the binary signals which carry the phase reference information are signal pulses used in the second embodiment plus phase reference pulses corresponding to the respective signal pulses. As shown in Fig. 8, a phase reference pulse group c is arranged separately from a signal pulse group and placed prior or posterior to the signal pulse group. The phase reference pulse group is employed in demodulation.

Pulse train 116 shows the phase reference pulse group c placed prior to each signal pulse group d. In the demodulator, the phase reference pulse group c is taken out and provided in a delay circuit with time delay so that the phase reference pulses may coincide with the corresponding signal pulses.

In pulse train 117, the signal pulse group d leads the phase reference pulse group c. Therefore, the signal pulse group d is delayed on demodulation.

In either case, it becomes necessary, when the repetition periods of the pulses of each group are very short, to raise the precision and the stability of the delay circuit dependent on the interval between the phase reference pulse group c and the signal pulse group d.

In the description so far made, the signals to be multiplexed have been the television signal and the facsimile signal. It is, however, possible to use instead of the television signal any other signal having periodic idle intervals and instead of the facsimile signal any other binary signal on carrying out the multiplex communication. Furthermore, the signal to be superimposed may be two or more signals which are concentrated in the manner explained in conjunction with the embodiments of this invention into different intervals, respectively. Still further, the multiplex communication of this invention is not only applicable to a binary signal but also to a sampled signal of three or more values, with addition of circuits for separating out and combining into such values and memory elements corresponding to the number of samples.

This invention, when applied to multiplex communication of the television and the

70

75

80

85

90

95

100

105

110

115

120

125

130

facsimile signals, makes it possible with addition of simple devices to the transmitting and the receiving ends to broadcast simultaneously television and facsimile, without any modification of the transmitter, the repeaters, and the similar apparatus and without any adverse effects on reception of the television signal which plays the principal role. This invention thus has a great utility.

10 WHAT WE CLAIM IS:—

1. An electrical communication system for transmitting a principal signal and an additional signal through a communication channel having the frequency bandwidth only for said principal signal, comprising:

means for sampling and digitizing said additional signal in response to sampling pulses;

means for storing the digital signal so produced;

pulse train means for reading-out the stored signal in time-compressed fashion within idle intervals periodically contained in said principal signal, the number of pulses in said read-out pulse train being equal to the number of said sampling pulses appearing within a repetition period of said idle interval; and means for adding the 'read out' digital signal in timed relationship to said principal signal.

2. An electrical communication system as claimed in claim 1, further comprising:

means for transforming said digital signal into width-modulated pulses in response to said read-out pulses.

3. An electrical communication system as claimed in claim 1 incorporating signal receiving apparatus comprising:

means for reproducing said principal signal having said periodic idle intervals;

means for separating from said principal signal said additional digital signal contained therein in time-compressed fashion in said idle intervals; and

means for time-expanding said separated digital signal and decoding said digital signal to reproduce said additional signal.

4. An electrical communication system as claimed in claim 1 further comprising

means for transforming said digital signal into width-modulated pulses in response to said read-out pulses

AND

signal-receiving apparatus comprising; means for reproducing said principal signal having said periodic idle intervals containing said additional width-modulated pulse train signal; means for separating said additional signal from said principal signal; means coupled to said separating means for transforming said width-modulated pulses back into the original digital signals; and means for time-expanding

said re-formed digital signals and decoding said digital signals to reproduce said original additional signal.

5. An electrical communication system as claimed in claim 1, in which said principal signal is a television signal and said additional signal is a facsimile signal.

6. An electrical communication system as claimed in claim 1, in which said storing means is a shift register.

7. An electrical communication system as claimed in claim 3, in which said time-expanding means is a shift register.

8. An electrical communication system for transmitting a television signal and a facsimile signal through a communication channel having the frequency bandwidth only for said television signal, comprising:

means for sampling and digitizing said facsimile signal in response to sampling pulses having a repetition frequency which is an integral multiple of the repetition frequency of the blanking signal of said television signal;

means for storing the digitized facsimile signal pulses in a shift register by means of first shift pulses having equal repetition frequency to said sampling pulses;

means for reading out the stored digital signal pulses from said shift register within the blanking period of said television signal in response to second shift pulses, the number of said second shift pulses included within one blanking period being equal to the number of the first shift pulses included within the repetition period of the blanking period;

means for adding the 'read out' digital signals to said television signals; and means for transmitting said television signals with said digital facsimile signals superimposed therein.

9. Signal receiving apparatus for the electrical communication system claimed in claim 8, comprising:

means for reproducing said television signal containing time-compressed pulses produced from said facsimile signal in the blanking period of said television signal;

means for separating said time-compressed pulses from said television signal;

means for storing said time-compressed pulses in a shift register during said blanking period in response to third shift pulses;

means for reading out the stored pulses from said shift register in response to fourth shift pulses, the number of said fourth shift pulses included within one repetition period of said blanking signal being equal to the number of said third shift pulses included within one blanking period;

means for reproducing said facsimile signal from the read out signals; and

means for producing a facsimile picture in response to said reproduced facsimile signal.

65

70

75

80

85

90

95

100

105

110

115

120

125

10. An electrical communication system as
claimed in claim 1 substantially as described
with reference to the accompanying drawings.
11. Signal receiving apparatus as claimed
5 in claim 9 substantially as described with
reference to the accompanying drawings.

U. JOHN PRIOR,
Patent Agent,
110, Kennington Road,
London, S.E.11.

Printed for Her Majesty's Stationery Office, by the Courier Press, Leamington Spa, 1970.
Published by The Patent Office, 25 Southampton Buildings, London, WC2A 1AY, from
which copies may be obtained.

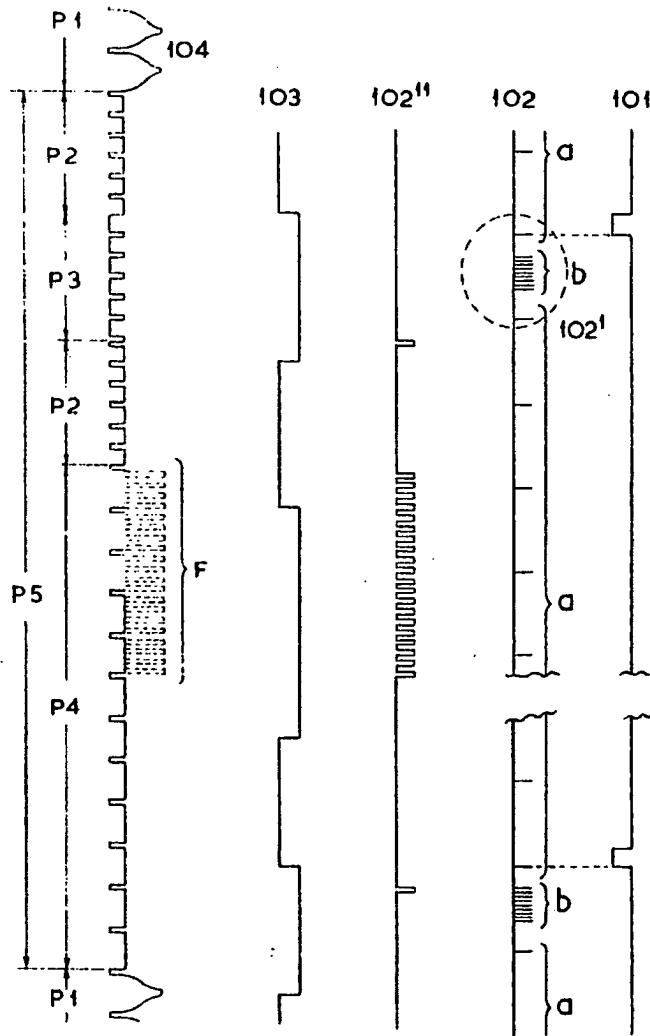


FIG. 1

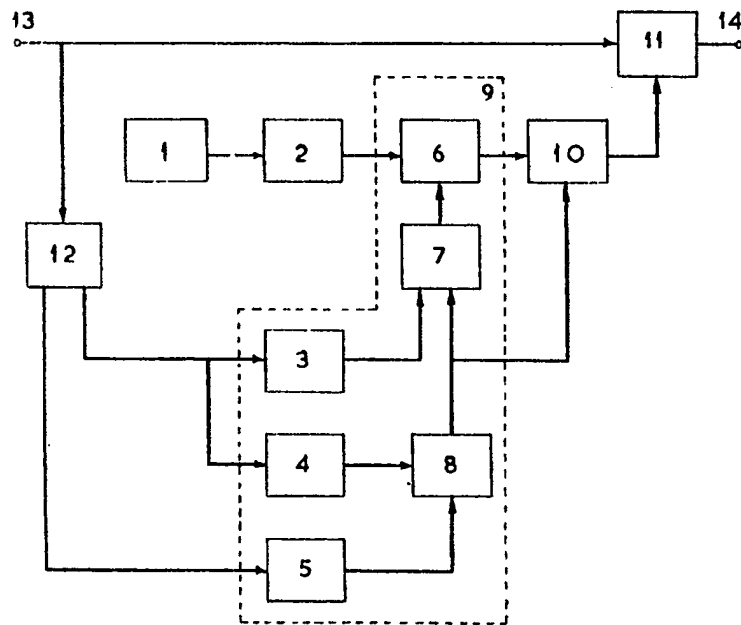


FIG. 2

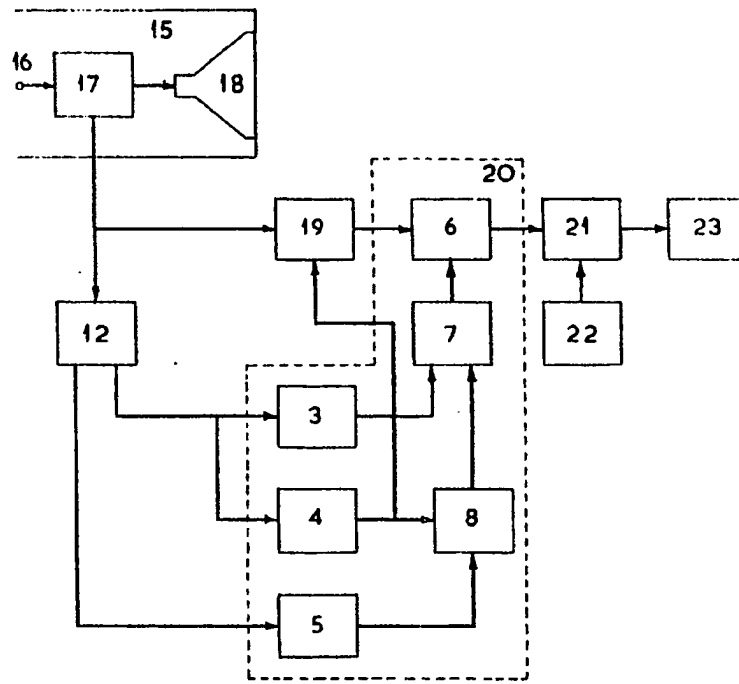


FIG. 3

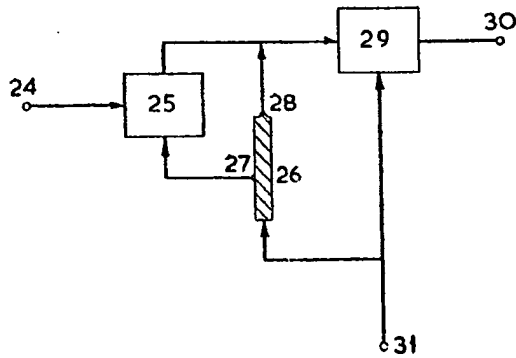


FIG. 4

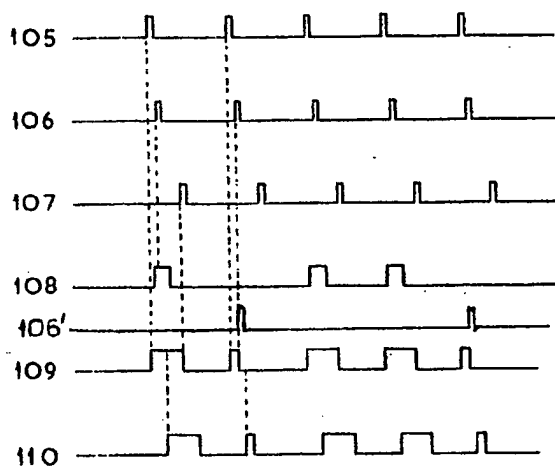


FIG. 5

1204190 COMPLETE SPECIFICATION

8 SHEETS *This drawing is a reproduction of
the Original on a reduced scale*
Sheet 6

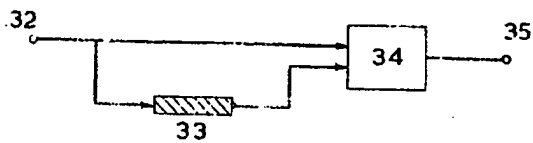


FIG. 6

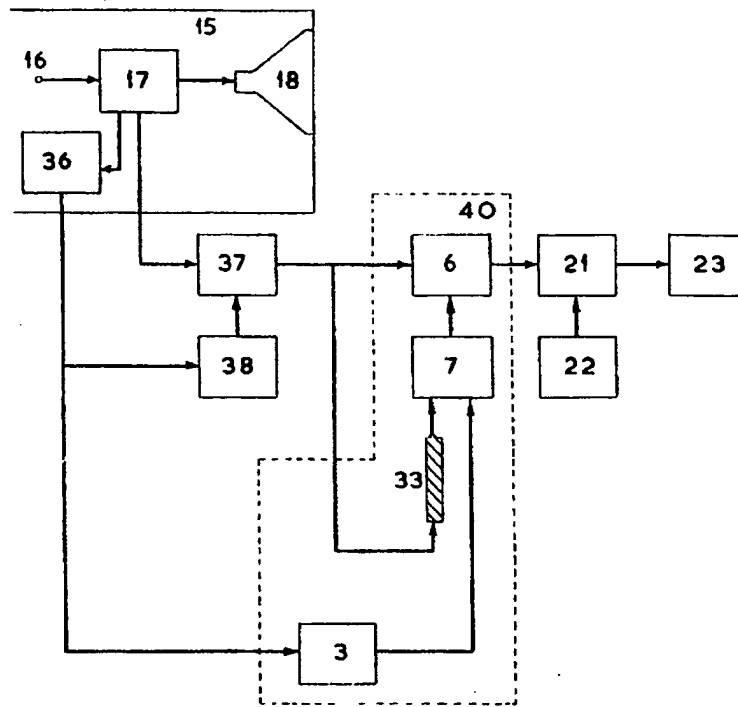


FIG. 7

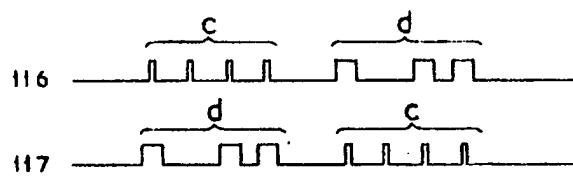


FIG. 8